

364 VOL. 5 PLAT AND RECORD

Of a Survey on Section $\frac{35}{2}$ T $\frac{3}{2}$ R $\frac{11}{11}$ E. of the 4 P. M. in CENTER PLYMOUTH Township
 Rock County, Wisconsin, made NOV the 4 1977

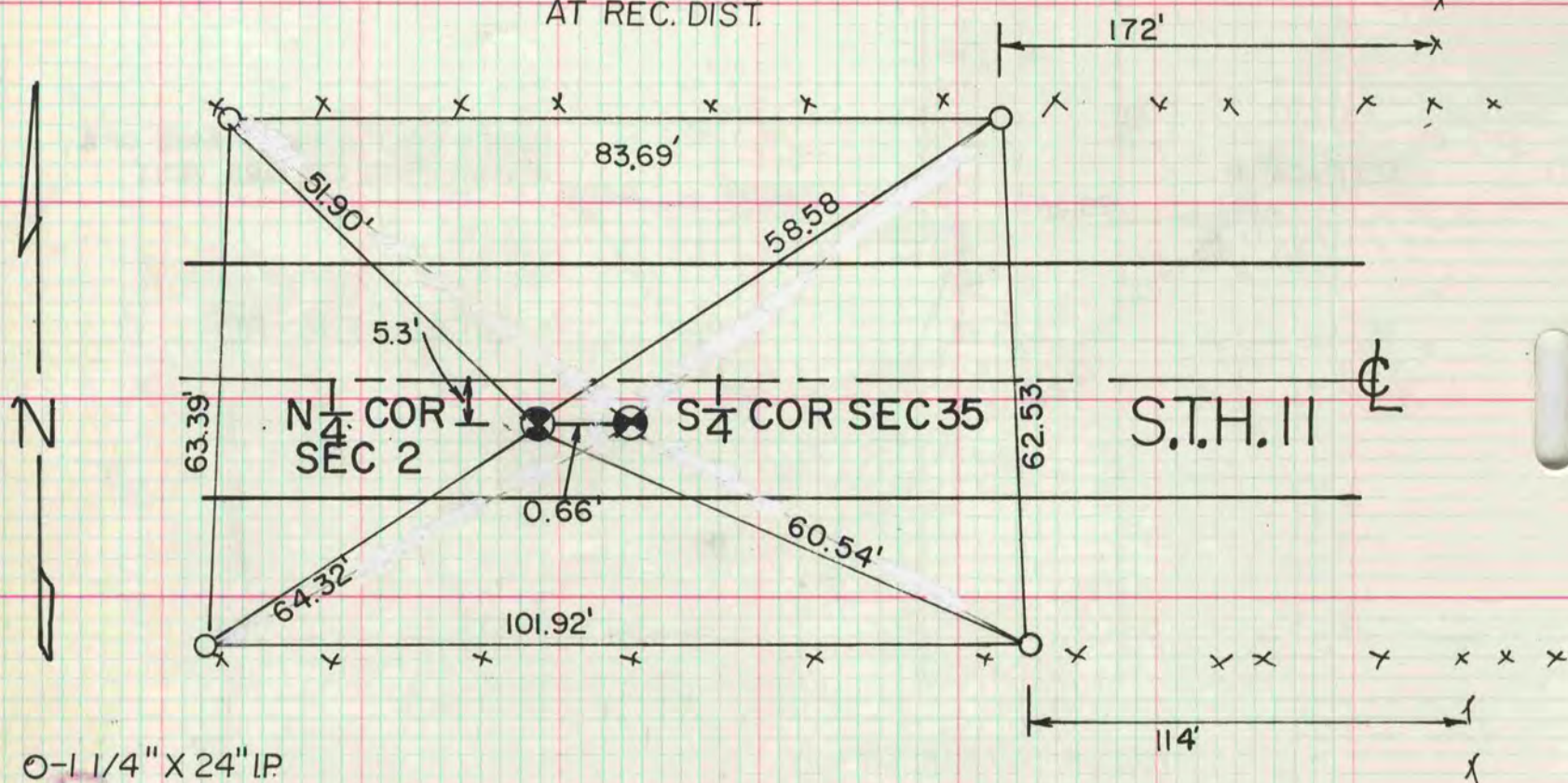
I hereby certify that the following is a correct record of said survey as made by me.
 COUNTY BUILDING CITY OF JANESVILLE



N $\frac{1}{4}$ COR SEC 2 T2 R11E
 FD. 1" IP 0.2' DEEP SET ALUM. MON.

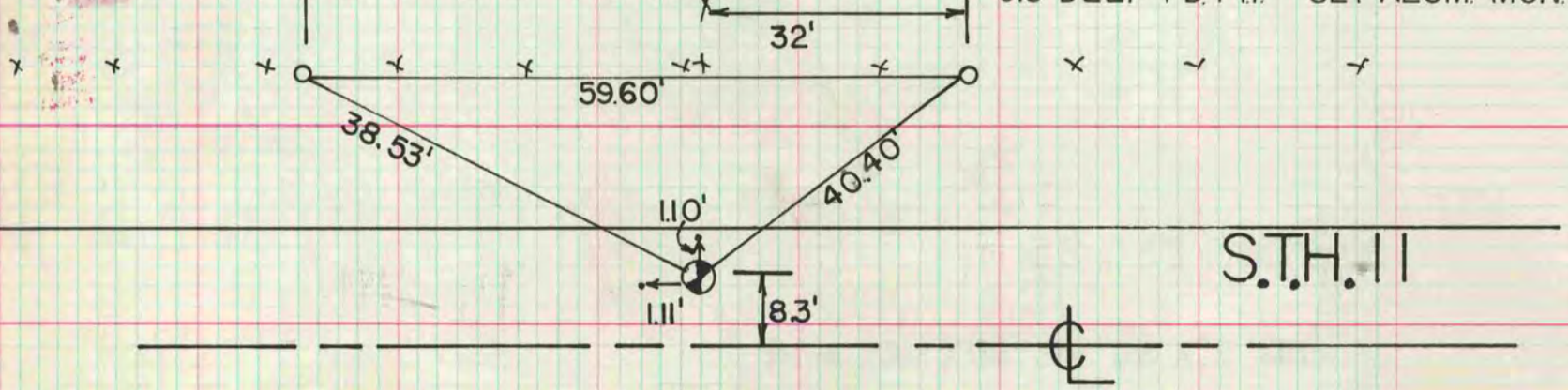
&
 S $\frac{1}{4}$ COR SEC 35 T3 R11E
 SET ALUM. MON. ON LINE WITH N $\frac{1}{4}$ COR. SEC. 2 & NE. COR. SEC. 2 AT REC. DIST.

MICROFILMED



SW COR SEC 35 T3 R11E

0.3' DEEP FD. 1" IP SET ALUM. MON.



DUNBAR RD